

## Hand Tools

### Hand Tools - Gear Pullers

#### On this page

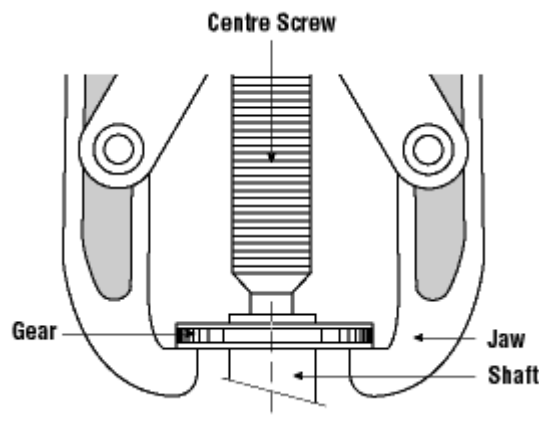
[What are some safety tips for using gear pullers?](#)

[What are some things that I should avoid doing?](#)

#### What are some safety tips for using gear pullers?

Gear pullers are made in various shapes and sizes and have many uses. Always use the correct tool for the job.

- Wear safety glasses or goggles, or a face shield (with safety glasses or goggles).
- Select the proper gear puller for each job. Always use a gear puller of the required size or larger. Use a 3-jaw puller, if possible.



- Ensure that the gear puller is aligned with the shaft and fits tightly around the part to be removed. The jaws should be parallel with the screw. This assures a straight pull.
- Be careful when removing a stubborn gear or bearing. Always strike the head of the centre screw squarely. If after two sharp blows the gear or bearing remains stuck, select a larger puller and proceed to remove the gear or bearing.
- Use a protective cap or removable point to protect screw from mushrooming or splitting.
- Stop work if the gear puller starts to deform.
- Cover work with a cloth to protect you and by-standers from flying parts.

- Lubricate the centre screw with machine oil before use.
  - Clean the gear puller after use and store it in a dry place.
- 

## What are some things that I should avoid doing?

- Do not use air powered tools on gear pullers.
- Do not use any puller with functioning parts that show excessive wear, dents, or cracks. Inspect the centre screw for signs of galling or seizing.
- Do not heat any gear puller. It will lose its strength and break under pressure if heated.
- Do not cut or grind any part of a gear puller.

Refer to OSH Answers [General Hand Tool Operation](#) for more tips.

---

Fact sheet confirmed current: 2018-12-20

Fact sheet last revised: 2013-08-28

## Disclaimer

Although every effort is made to ensure the accuracy, currency and completeness of the information, CCOHS does not guarantee, warrant, represent or undertake that the information provided is correct, accurate or current. CCOHS is not liable for any loss, claim, or demand arising directly or indirectly from any use or reliance upon the information.